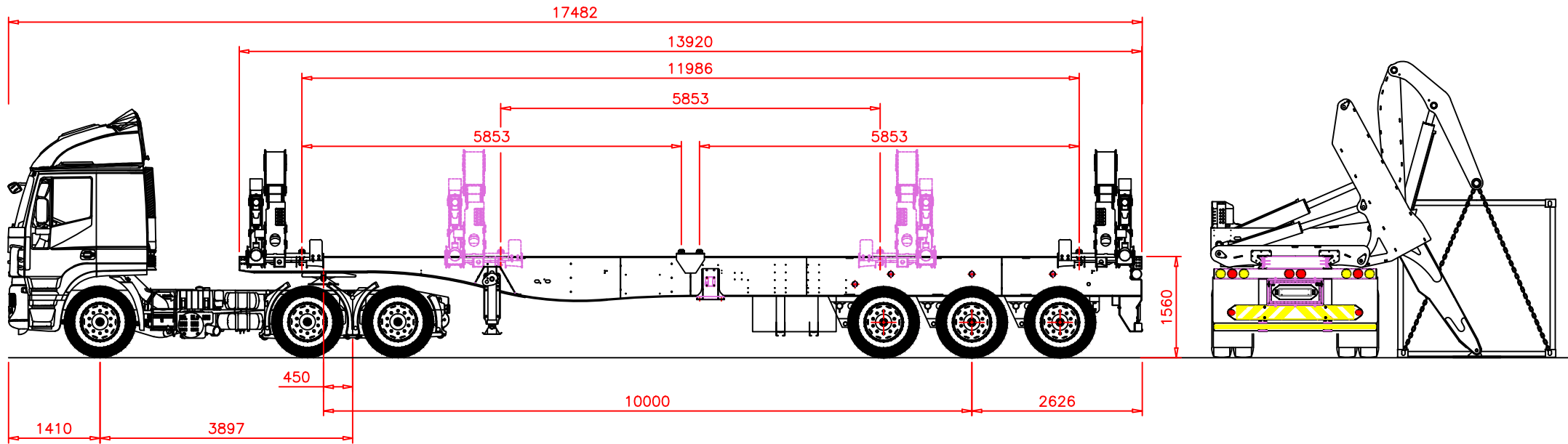


PAYLOAD = 28440
 TRAILER TARE MASS = 6300 (ESTIMATED)
 LIFTING EQUIPMENT TARE MASS = 6000 (ESTIMATED)
 TRAILER GROSS MASS = 40740



4630 = TRUCK TARE AT AXLES = 3630
 200 = TRUCK FUEL = 200
 100 = DRIVER = 0
 6825 = GROSS MASS AT AXLES = 18315 (+1.8%)

TARE MASS AT AXLES = 8250
 GROSS MASS AT AXLES = 24360 (+1.5%)

	AXLES	+2%
PAYLOAD	= 28440kg	29430kg
GROSS COMBINATION MASS	= 49500kg	50490kg

NOTE: - 5th WHEEL HEIGHT = 1310mm

REVISION

ROADHOG

TRAILERS (PTY) LTD

design@roadhogtt.co.za

COPYRIGHT

THIS DRAWING IS CONFIDENTIAL AND THE PROPERTY OF ROADHOG TRAILERS AND MAY NOT BE COPIED, REPRODUCED OR PASSED ON TO ANY THIRD PARTY WITHOUT THEIR WRITTEN CONSENT.

NAME

DATE

TITLE:

DRAWN

L V

29/02/2016

14m SIDE LOADER SEMI TRAILER
 MECHANICAL SUSP, D TYRES, STEEL RIMS

CHECKED

SCALE:

ALL DIMENSIONS, MASSES AND PAYLOADS ARE ESTIMATES AND EXCLUDE OPTIONAL EXTRAS.

DRAWING No: SHT 1 OF 1

SLS-03-0002

REV DATE BY REVISION DESCRIPTION